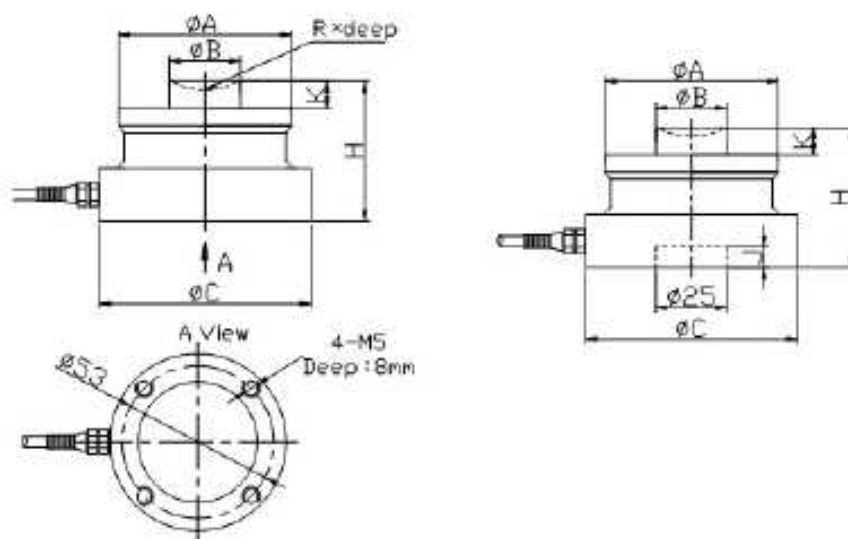


## 504 Compression Load Cell



Dimension Unit: mm



Cap./Size	1t	2.2t	4.7t	10t	15t	22t	33t	47t	68t	100t	150t	220t	330t	470t
$\phi A$	49	49	49	74	75	75	95	130	130	150	150	22.5	225	270
$\phi B$	20	20	20	30	30	30	40	60	60	70	70	100	100	120
$\phi C$	60	60	60	75	75	75	95	130	130	150	151	22.5	225	270
H	43	43	43	50	50	50	65	75	85	90	100	130	145	170
J	-	-	-	7	7	7	7	7	7	7	7	10	10	10
K	7.5	7.5	7.5	6.5	6.5	6.5	10	14	14	16	16	24	24	28
R	15	15	15	25.4	25.4	25.4	50	60	-	-	-	-	-	-
Deep	2.2	2.2	2.2	3.3	3.3	3.3	3.3	5.1	-	-	-	-	-	-